

PARTS LIST

BKC501RS

CONTENTS

| | |
|--------------------------------|---------|
| 1. MAIN BODY | 1 ~ 2 |
| 2. GEARCASE..... | 3 ~ 4 |
| 3. SUPPORT FRAME | 5 ~ 6 |
| 4. ENGINE | 7 ~ 10 |
| 5. CARBURETOR, FUEL TANK | 11 ~ 14 |
| 6. ACCESSORIES | 15 ~ 16 |

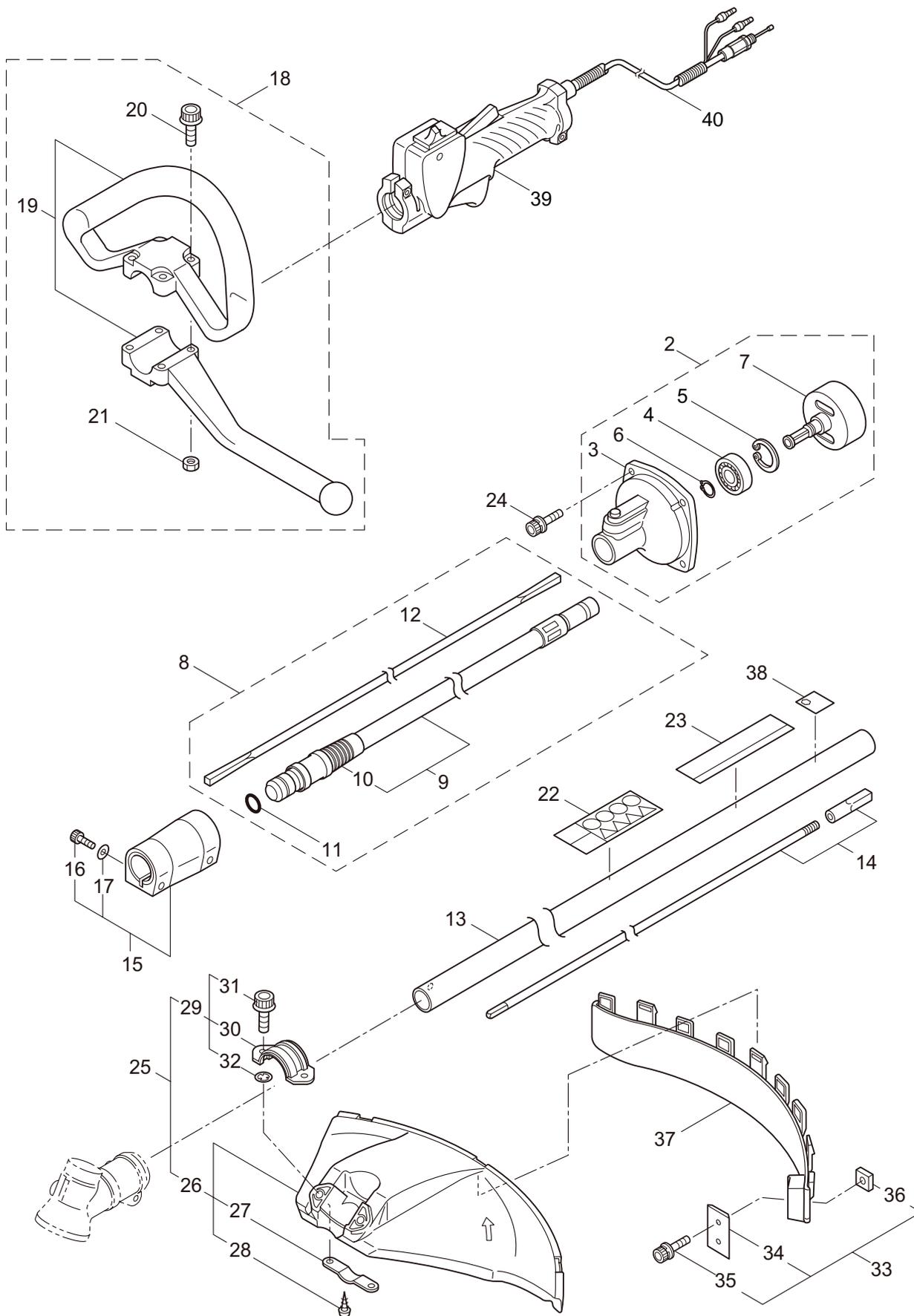
2018. 04.



MARUYAMA

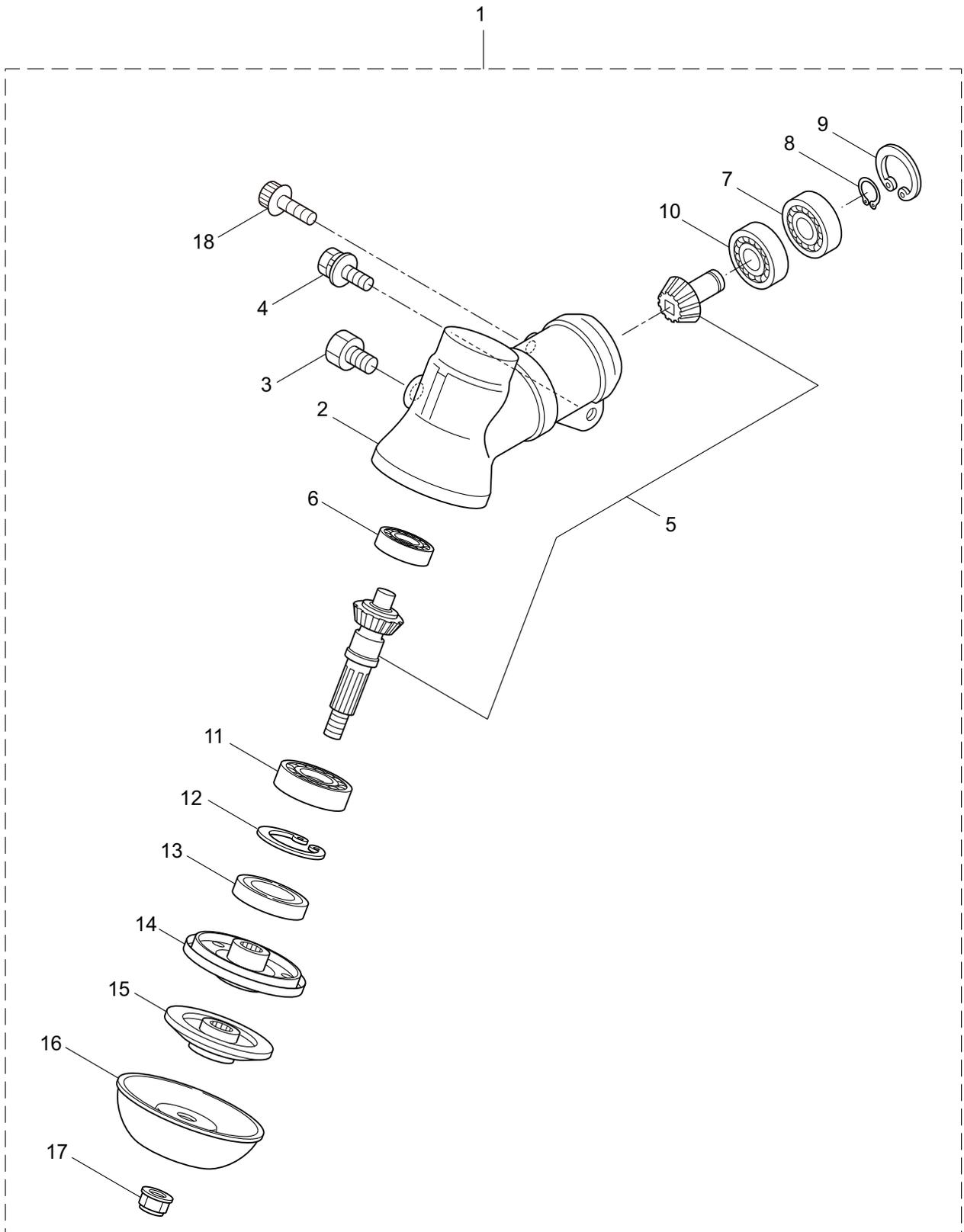
P/N 524441-1

1. BKC501RS MAIN BODY



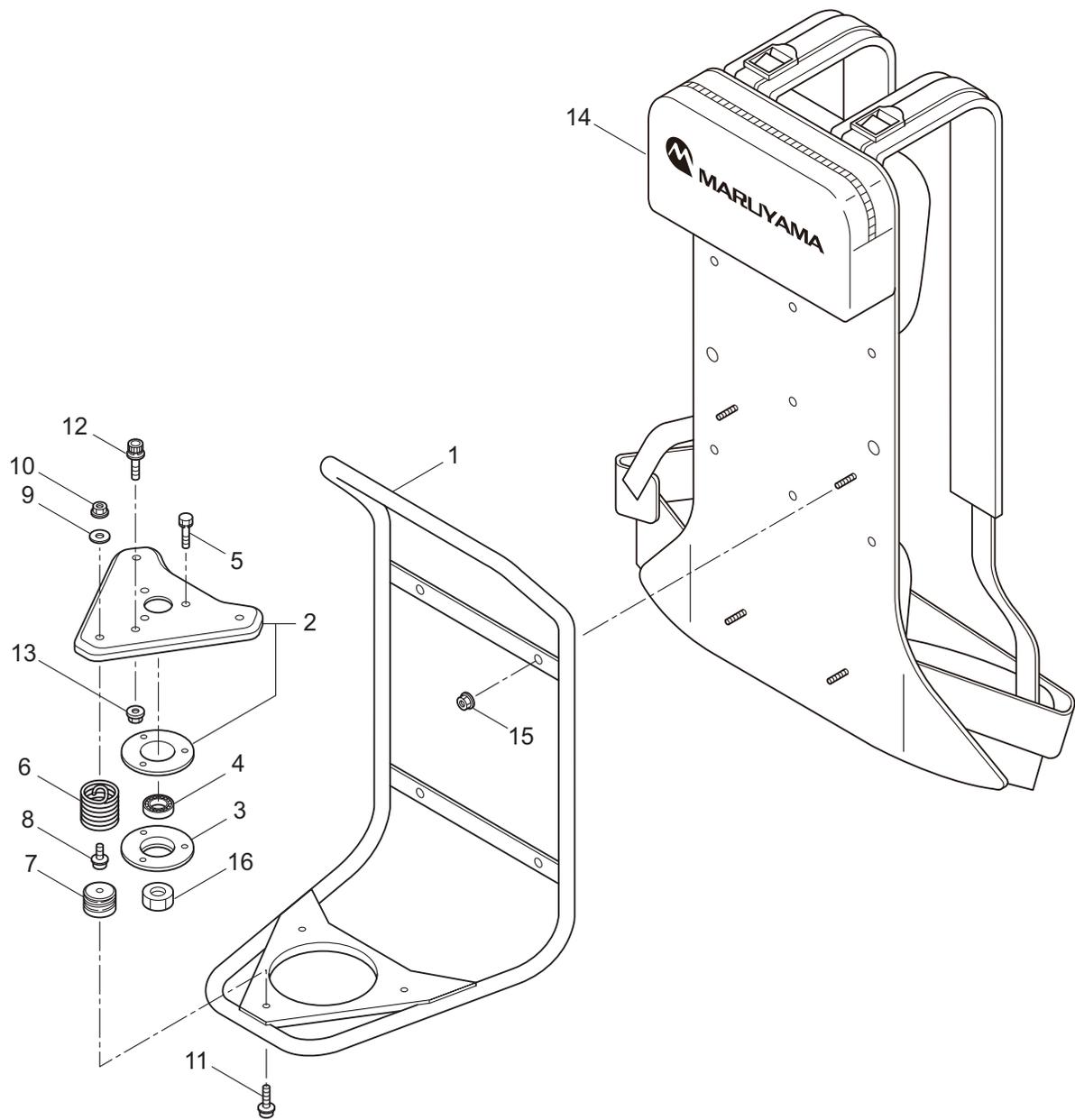
| Ref. No. | Part No. | Part Name | Q'ty | Remarks |
|----------|----------|----------------------|------|------------|
| 1-1 | 364709 | BKC501RS | 1 | |
| 1-2 | 222416 | Clutch Case Ass'y | 1 | Incl.3-7 |
| 1-3 | 222085 | Clutch Case | 1 | |
| 1-4 | 222442 | Bearing | 1 | #6202 2RS |
| 1-5 | 012380 | Snap Ring | 1 | #35 |
| 1-6 | 550118 | Snap Ring | 1 | WR15 |
| 1-7 | 220336 | Clutch Drum | 1 | |
| 1-8 | 222530 | Outer Ass'y | 1 | Incl.9-12 |
| 1-9 | 222531 | Outer | 1 | Incl.10 |
| 1-10 | 215885 | Cover | 1 | |
| 1-11 | 011338 | O-Ring | 1 | P18 |
| 1-12 | 211895 | Inner Shaft | 1 | |
| 1-13 | 224125 | Driveshaft Tube | 1 | |
| 1-14 | 216965 | Driveshaft Ass'y | 1 | |
| 1-15 | 215730 | Joint Pipe Ass'y | 1 | Incl.16,17 |
| 1-16 | 087786 | Cap Screw | 2 | M5x25 |
| 1-17 | 012487 | Washer | 1 | M5 |
| 1-18 | 232104 | Loop Handle Ass'y | 1 | Incl.19-21 |
| 1-19 | 226462 | Loop Handle | 1 | |
| 1-20 | 215608 | Cap Screw | 4 | M5x30x16 |
| 1-21 | 081027 | Nut | 4 | M5 |
| 1-22 | 223188 | Label | 1 | |
| 1-23 | 239882 | Label | 1 | BKC501RS |
| 1-24 | 219113 | Cap Screw | 4 | M6x20 |
| 1-25 | 232092 | Safety Cover Ass'y | 1 | Incl.26-32 |
| 1-26 | 231262 | Safety Cover Ass'y | 1 | Incl.27,28 |
| 1-27 | 237364 | Threaded Bracket | 1 | |
| 1-28 | 221580 | Screw | 1 | 4x8 |
| 1-29 | 232093 | Bracket Ass'y | 1 | Incl.30-32 |
| 1-30 | 223179 | Bracket | 1 | |
| 1-31 | 220632 | Cap Screw | 2 | M6x30 |
| 1-32 | 231704 | Washer | 2 | 6x13xt1.0 |
| 1-33 | 231882 | String Cutter Ass'y | 1 | Incl.34-36 |
| 1-34 | 230747 | String Cutter | 1 | |
| 1-35 | 261250 | Cap Screw | 1 | M5x20 |
| 1-36 | 228325 | Nut | 1 | |
| 1-37 | 230748 | Cover Extention | 1 | |
| 1-38 | 228207 | Label | 1 | 115dB |
| 1-39 | 232101 | Throttle Lever Ass'y | 1 | |
| 1-40 | 332330 | Throttle Lever wire | 1 | |

2. BKC501RS
GEARCASE



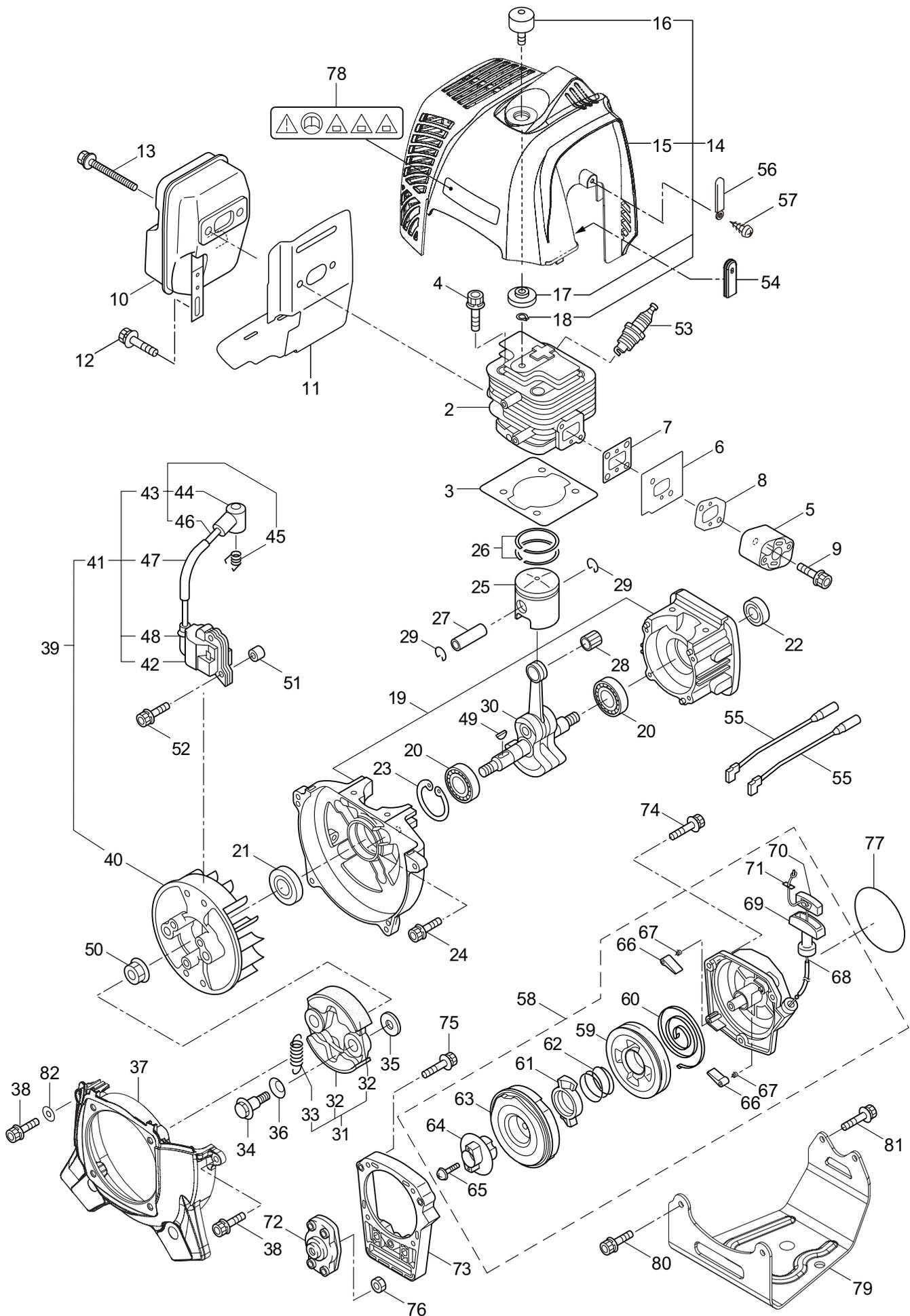
| Ref. No. | Part No. | Part Name | Q'ty | Remarks |
|----------|----------|-----------------|------|-----------|
| 2-1 | 234837 | Gearcase Ass'y | 1 | Incl.2-18 |
| 2-2 | 232850 | Gearcase | 1 | |
| 2-3 | 234109 | Bolt | 1 | M8x8 |
| 2-4 | 217134 | Bolt | 1 | M6x30 |
| 2-5 | 234349 | Gear Set | 1 | |
| 2-6 | 014490 | Bearing | 1 | #6000 |
| 2-7 | 106933 | Bearing | 1 | #6000Z |
| 2-8 | 014210 | Snap Ring | 1 | #10 |
| 2-9 | 054676 | Snap Ring | 1 | #26 |
| 2-10 | 014490 | Bearing | 1 | #6000 |
| 2-11 | 012544 | Bearing | 1 | #6202 |
| 2-12 | 012380 | Snap Ring | 1 | #35 |
| 2-13 | 232049 | Oil Seal | 1 | D21355 |
| 2-14 | 232322 | Bracket A Ass'y | 1 | |
| 2-15 | 232052 | Bracket B | 1 | |
| 2-16 | 230849 | Stabilizer | 1 | |
| 2-17 | 232920 | Nut | 1 | M10x1.25 |
| 2-18 | 217135 | Bolt | 1 | M6x10 |

3. BKC501RS SUPPORT FRAME



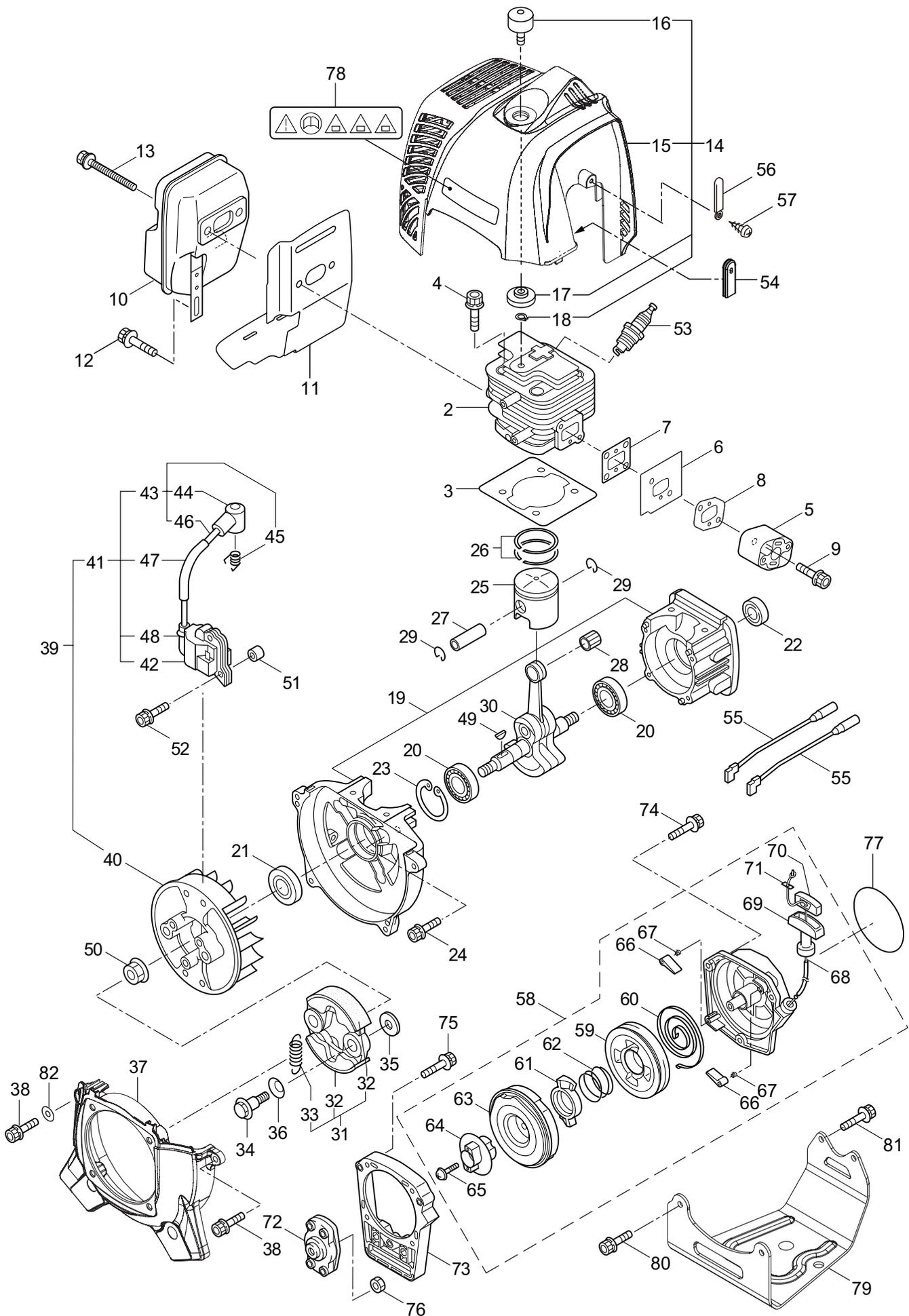
| Ref. No. | Part No. | Part Name | Q'ty | Remarks |
|----------|----------|--------------------|------|-----------|
| 3-1 | 224730 | Support Frame | 1 | |
| 3-2 | 232316 | Turn Bracket Ass'y | 1 | |
| 3-3 | 211644 | Bearing Case | 1 | |
| 3-4 | 220619 | Bearing | 1 | #6001UU |
| 3-5 | 092578 | Bolt | 3 | M5x10 |
| 3-6 | 231946 | Spring | 3 | |
| 3-7 | 231947 | Spring Holder | 3 | |
| 3-8 | 228250 | Bolt | 3 | M5x12 |
| 3-9 | 231948 | Washer | 3 | 5.2x16xt1 |
| 3-10 | 215230 | Nut | 3 | M5 |
| 3-11 | 271144 | Screw | 3 | |
| 3-12 | 223704 | Cap Screw | 1 | M6x12 |
| 3-13 | 219959 | Nut | 1 | M6 |
| 3-14 | 226490 | Pad | 1 | |
| 3-15 | 215230 | Nut | 4 | M5 |
| 3-16 | 084020 | Nut | 1 | M12 |

4. BKC501RS ENGINE



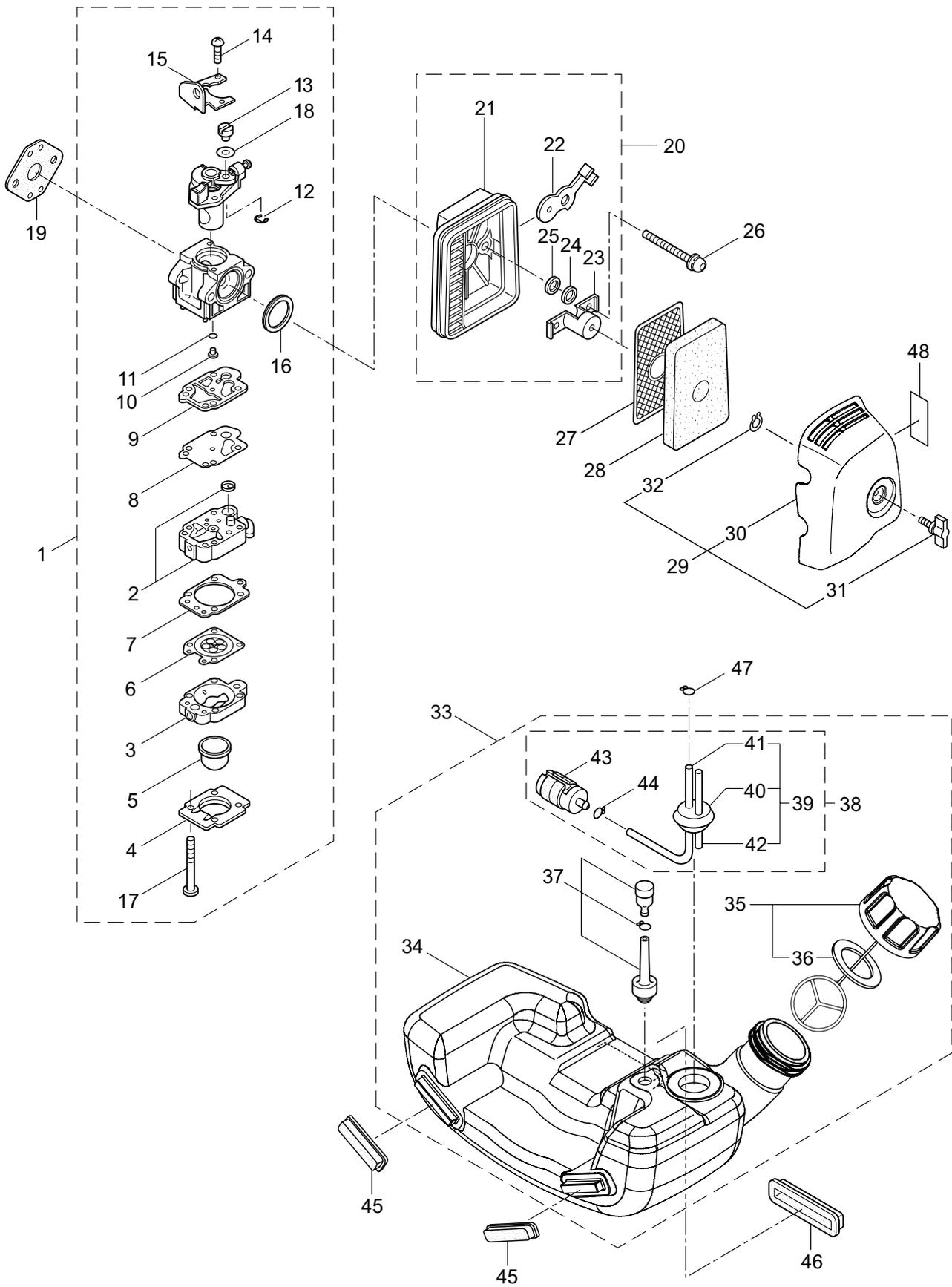
| Ref. No. | Part No. | Part Name | Q'ty | Remarks |
|----------|----------|---------------------------|------|---------------------|
| 4-1 | 875119 | Engine | 1 | AE500/80 |
| 4-2 | 281407 | Cylinder | 1 | New gasket required |
| 4-3 | 262546 | Gasket | 1 | |
| 4-4 | 261246 | Cap Screw | 4 | M5x25 |
| 4-5 | 262548 | Insulator | 1 | New gasket required |
| 4-6 | 277806 | Divider | 1 | |
| 4-7 | 262790 | Gasket | 1 | |
| 4-8 | 277807 | Gasket | 1 | |
| 4-9 | 265924 | Cap Screw | 2 | M5x25 |
| 4-10 | 277821 | Muffler Comp | 1 | |
| 4-11 | 276378 | Gasket | 1 | |
| 4-12 | 261607 | Cap Screw | 1 | M5x16 |
| 4-13 | 262687 | Cap Screw | 2 | M6x65 |
| 4-14 | 276600 | Top Cover Ass'y | 1 | Incl.15-18 |
| 4-15 | 275316 | Top Cover | 1 | |
| 4-16 | 285843 | Knob | 1 | |
| 4-17 | 262689 | Spacer | 1 | |
| 4-18 | 262690 | Snap Ring | 1 | #6 |
| 4-19 | 262558 | Crankcase | 1 | |
| 4-20 | 262658 | Bearing | 2 | #6202C3 |
| 4-21 | 262660 | Oil Seal | 1 | TC15357 |
| 4-22 | 262565 | Oil Seal | 1 | ISCD15257 |
| 4-23 | 012380 | Snap Ring | 1 | #35 |
| 4-24 | 261999 | Cap Screw | 4 | M5x40 |
| 4-25 | 281301 | Piston | 1 | |
| 4-26 | 264005 | Piston Ring | 2 | (2)Required |
| 4-27 | 262749 | Piston Pin | 1 | |
| 4-28 | 262659 | Bearing,Needle | 1 | KTV111414EG01B2 |
| 4-29 | 262479 | Clip,Piston Pin | 2 | |
| 4-30 | 280534 | Crankshaft/Conn.Rod Ass'y | 1 | |
| 4-31 | 262577 | Clutch Ass'y | 1 | Incl.32,33 |
| 4-32 | 282624 | Clutch Shoe | 2 | (2)required |
| 4-33 | 263615 | Spring,Clutch | 1 | |
| 4-34 | 282321 | Cap Screw | 2 | M8x1.25 |
| 4-35 | 262683 | Washer | 2 | 8x22xt1.2 |
| 4-36 | 262682 | Wave Washer | 2 | |
| 4-37 | 275230 | Fan Cover | 1 | |
| 4-38 | 261250 | Cap Screw | 2 | M5x20 |
| 4-39 | 267576 | Magneto Ass'y | 1 | Incl.40-48 |
| 4-40 | 264673 | Rotor/Fan | 1 | |
| 4-41 | 267579 | Ignition Coil Ass'y | 1 | Incl.42-48 |
| 4-42 | 267572 | Coil | 1 | |
| 4-43 | 267584 | Spark Plug Wire Ass'y | 1 | Incl.44-46 |
| 4-44 | 261074 | Plug Boot | 1 | |
| 4-45 | 261075 | Connector | 1 | |

4. BKC501RS ENGINE



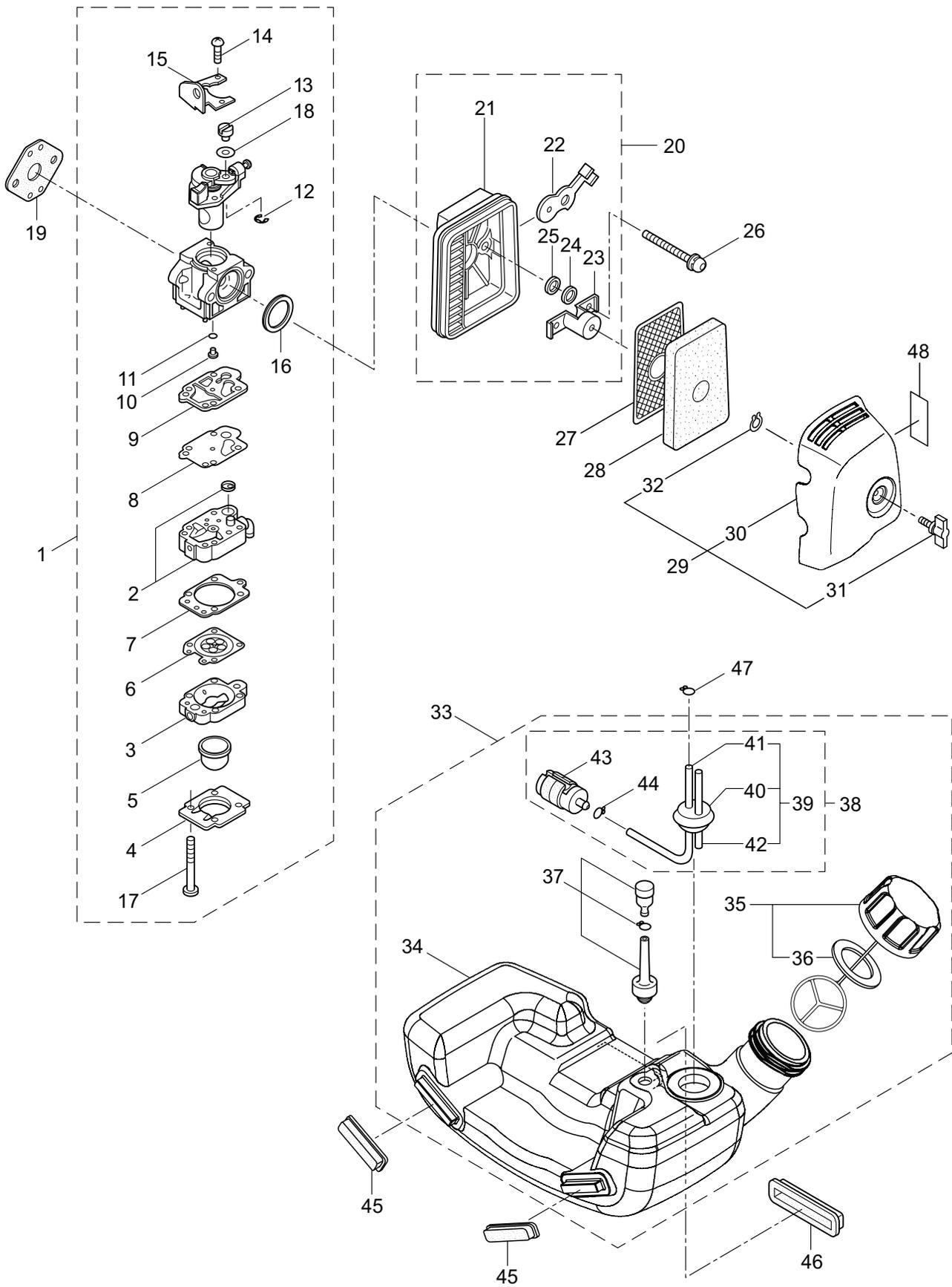
| Ref. No. | Part No. | Part Name | Q'ty | Remarks |
|----------|----------|----------------------|------|-------------------|
| 4-46 | 267585 | Spark Plug Wire | 1 | |
| 4-47 | 269421 | Insulator | 1 | |
| 4-48 | 261072 | Cap | 1 | |
| 4-49 | 261076 | Woodruff Key | 1 | 3x10 |
| 4-50 | 262731 | Nut,Rotor | 1 | M10 |
| 4-51 | 280381 | Spacer | 2 | |
| 4-52 | 261256 | Cap Screw | 2 | M4x25 |
| 4-53 | 262483 | Spark Plug | 1 | NGK BPMR6Y |
| 4-54 | 275191 | Grommet | 1 | |
| 4-55 | 267519 | Wire, Lead | 2 | |
| 4-56 | 264588 | Clamp | 1 | |
| 4-57 | 221580 | Screw | 1 | 4x8 |
| 4-58 | 280838 | Recoil Ass'y | 1 | Incl.59-71 |
| 4-59 | 280994 | Pulley | 1 | |
| 4-60 | 280995 | Spiral Spring | 1 | |
| 4-61 | 280996 | Pawl | 1 | |
| 4-62 | 280997 | Return Spring | 1 | |
| 4-63 | 280998 | Spring Comp | 1 | |
| 4-64 | 280999 | Plate | 1 | |
| 4-65 | 281000 | Set Screw | 1 | |
| 4-66 | 281001 | Pawl | 2 | |
| 4-67 | 281002 | Return Spring | 2 | |
| 4-68 | 281004 | Starter Rope | 1 | |
| 4-69 | 262633 | Starter Grip | 1 | |
| 4-70 | 262981 | Cap | 1 | |
| 4-71 | 281005 | Rope Stopper | 1 | |
| 4-72 | 280834 | Starter Pulley Ass'y | 1 | |
| 4-73 | 280827 | Adapter Ass'y | 1 | |
| 4-74 | 284985 | Screw | 3 | M5x25 |
| 4-75 | 261257 | Cap Screw | 4 | M4x16 |
| 4-76 | 126990 | Nut | 1 | M8 |
| 4-77 | 280842 | Label | 1 | REVERSE2/MARUYAMA |
| 4-78 | 265694 | Label | 1 | |
| 4-79 | 277823 | Bracket Comp | 1 | |
| 4-80 | 261999 | Cap Screw | 2 | M5x40 |
| 4-81 | 261607 | Cap Screw | 2 | M5x16 |
| 4-82 | 012487 | Washer | 1 | M5 |

5. BKC501RS
CARBURETOR, FUEL TANK



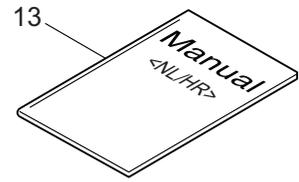
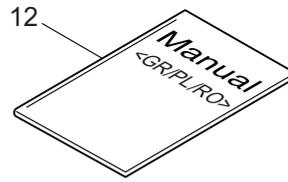
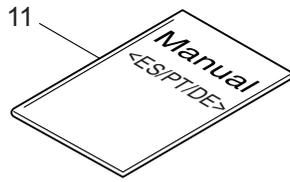
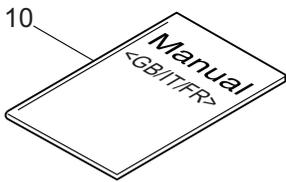
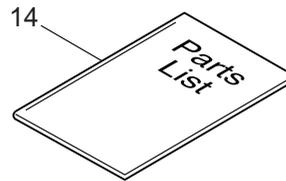
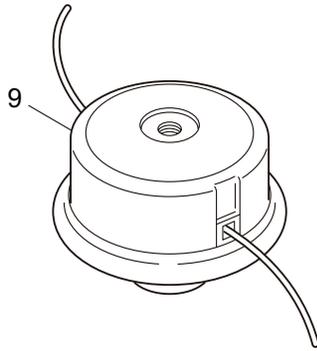
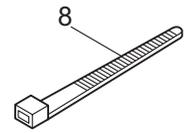
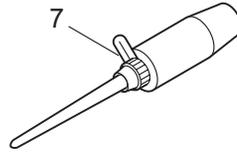
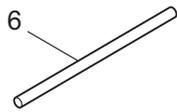
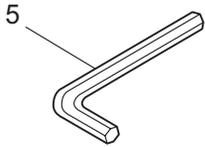
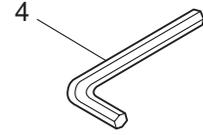
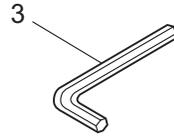
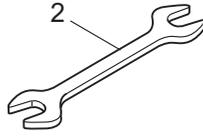
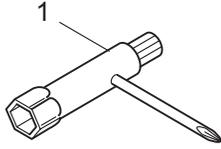
| Ref. No. | Part No. | Part Name | Q'ty | Remarks |
|----------|----------|-------------------------|------|-------------------------------|
| 5-1 | 284103 | Carburetor Ass'y | 1 | Incl.2-18 New gasket required |
| 5-2 | 263739 | Pump Body | 1 | |
| 5-3 | 262991 | Purge Body | 1 | |
| 5-4 | 262992 | Cover Plate | 1 | |
| 5-5 | 261874 | Primer Bulb | 1 | |
| 5-6 | 283905 | Diaphragm, Meterring | 1 | |
| 5-7 | 262993 | Gasket | 1 | |
| 5-8 | 262994 | Diaphragm,Fuel Pump | 1 | |
| 5-9 | 282576 | Gasket | 1 | |
| 5-10 | 281486 | Main Jet | 1 | |
| 5-11 | 261871 | O-Ring | 1 | |
| 5-12 | 261876 | E-Ring | 1 | |
| 5-13 | 261658 | Swivel | 1 | |
| 5-14 | 261875 | Screw | 2 | |
| 5-15 | 264677 | Bracket | 1 | |
| 5-16 | 261657 | Packing | 1 | |
| 5-17 | 262996 | Screw | 4 | |
| 5-18 | 264678 | Washer | 1 | |
| 5-19 | 262587 | Gasket | 1 | |
| 5-20 | 263987 | Air Filter Body Ass'y | 1 | Incl.21-25 |
| 5-21 | 263338 | Air Filter Body | 1 | |
| 5-22 | 267934 | Choke Valve | 1 | |
| 5-23 | 263342 | Stay | 1 | |
| 5-24 | 263345 | Packing | 1 | 7.2x11xt1.3 |
| 5-25 | 263942 | Washer | 1 | 7.2x12xt0.15 |
| 5-26 | 262720 | Cap Screw | 2 | M5x55 |
| 5-27 | 262727 | Screen | 1 | |
| 5-28 | 262643 | Foam Element | 1 | |
| 5-29 | 277847 | Cover Ass'y | 1 | Incl.30-32 |
| 5-30 | 277848 | Air Filter Cover | 1 | |
| 5-31 | 281438 | Knob | 1 | |
| 5-32 | 261734 | Snap Ring | 1 | #5 |
| 5-33 | 277812 | Fuel Tank Ass'y | 1 | Incl.34-44 |
| 5-34 | 277831 | Fuel Tank | 1 | |
| 5-35 | 275306 | Fuel Tank Cap Ass'y | 1 | Incl.36 |
| 5-36 | 274875 | Gasket | 1 | |
| 5-37 | 261696 | Breather Ass'y | 1 | |
| 5-38 | 262645 | Fuel Pipe Pick-up Ass'y | 1 | Incl.39-44 |
| 5-39 | 262646 | Fuel Pipe Ass'y | 1 | Incl.40-42 |
| 5-40 | 261115 | Grommet | 1 | |
| 5-41 | 262649 | Fuel Pipe | 1 | |
| 5-42 | 263038 | Return Pipe | 1 | 3x6x85L |
| 5-43 | 267328 | Fuel Filter Ass'y | 1 | |
| 5-44 | 261117 | Clip | 1 | |
| 5-45 | 261119 | Pad | 2 | |

5. BKC501RS
CARBURETOR, FUEL TANK



| Ref. No. | Part No. | Part Name | Q'ty | Remarks |
|----------|----------|-----------|------|---------|
| 5-46 | 262697 | Pad | 1 | |
| 5-47 | 261117 | Clip | 1 | |
| 5-48 | 261352 | Label | 1 | Choke |

6. BKC501RS
ACCESSORIES



| Ref. No. | Part No. | Part Name | Q'ty | Remarks |
|----------|----------|---------------------|------|-----------|
| 6-1 | 228008 | Box Spanner | 1 | 17x19x(+) |
| 6-2 | 054756 | Double-ended Wrench | 1 | 10x13 |
| 6-3 | 219431 | Wrench | 1 | 3mm |
| 6-4 | 219432 | Wrench | 1 | 4mm |
| 6-5 | 219433 | Wrench | 1 | 5mm |
| 6-6 | 212300 | Lever Handle | 1 | 6x100L |
| 6-7 | 211337 | Grease Tube | 1 | |
| 6-8 | 220548 | Band | 2 | |
| 6-9 | 234860 | Nylon Head (L) 5 | 1 | |
| 6-10 | 239885 | Instruction Manual | 1 | GB/IT/FR |
| 6-11 | 239886 | Instruction Manual | 1 | ES/PT/DE |
| 6-12 | 239887 | Instruction Manual | 1 | GR/PL/RO |
| 6-13 | 239888 | Instruction Manual | 1 | NL/HR |
| 6-14 | 524441 | Parts List | 1 | BKC501RS |